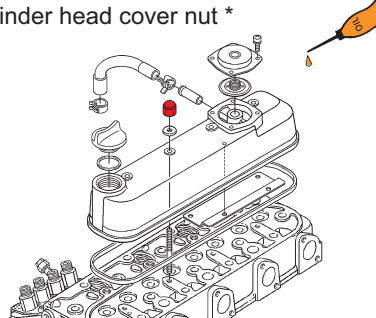


# TIGHTENING TORQUES

## (1) Special Tightening Torques

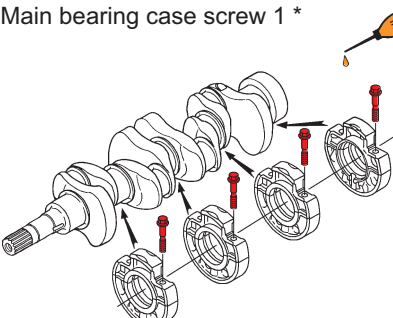
For "\*" marked screws, bolts and nuts on under table, apply engine oil to their threads and seats before tightening.

Cylinder head cover nut \*



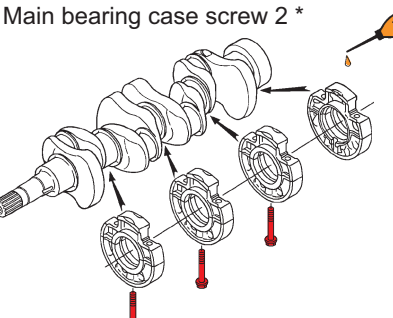
D905-E2B	
D1005-E2B	
D1105-E2B	6.9 to 8.8 N·m
D1105-T-E2B	0.7 to 0.9 kgf·m
V1305-E2B	5.1 to 6.5 ft-lbs
V1505-E2B	
V1505-T-E2B	

Main bearing case screw 1 \*



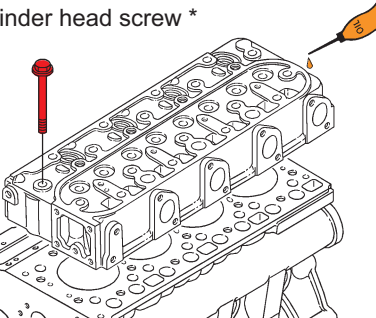
D905-E2B	
D1005-E2B	
D1105-E2B	29.4 to 34.3 N·m
D1105-T-E2B	3.0 to 3.5 kgf·m
V1305-E2B	21.7 to 25.3 ft-lbs
V1505-E2B	
V1505-T-E2B	

Main bearing case screw 2 \*



D905-E2B	
D1005-E2B	
D1105-E2B	49.0 to 53.9 N·m
D1105-T-E2B	5.0 to 5.5 kgf·m
V1305-E2B	36.2 to 39.8 ft-lbs
V1505-E2B	
V1505-T-E2B	

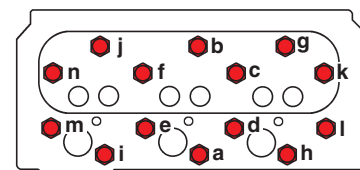
Cylinder head screw \*



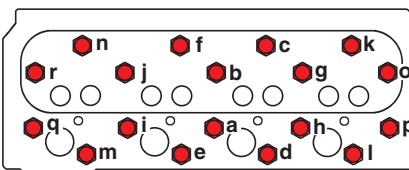
D905-E2B	
D1005-E2B	
D1105-E2B	63.7 to 68.6 N·m
D1105-T-E2B	6.5 to 7.0 kgf·m
V1305-E2B	47.0 to 50.6 ft-lbs
V1505-E2B	
V1505-T-E2B	

Cylinder head tightening order

(A) 3 cylinder model

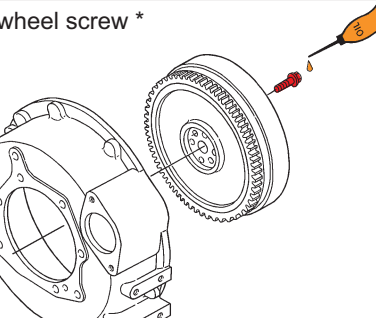


(B) 4 cylinder model



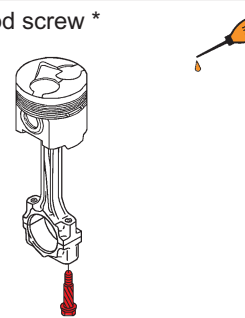
D905-E2B	
D1005-E2B	
D1105-E2B	(A) 3 cylinder model
D1105-T-E2B	a → n
V1305-E2B	(B) 4 cylinder model
V1505-E2B	a → r
V1505-T-E2B	

Flywheel screw \*



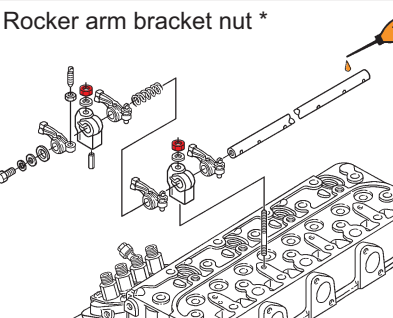
D905-E2B	
D1005-E2B	
D1105-E2B	53.9 to 58.8 N·m
D1105-T-E2B	5.5 to 6.0 kgf·m
V1305-E2B	39.8 to 43.4 ft-lbs
V1505-E2B	
V1505-T-E2B	

Connecting rod screw \*



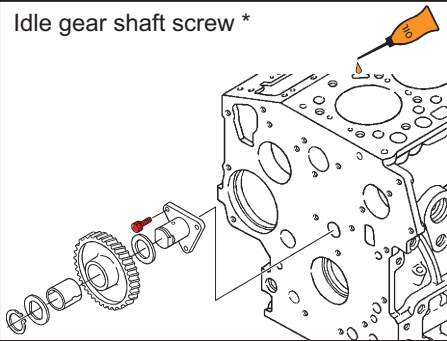
D905-E2B	
D1005-E2B	
D1105-E2B	41.2 to 46.1 N·m
D1105-T-E2B	4.2 to 4.7 kgf·m
V1305-E2B	30.4 to 34.0 ft-lbs
V1505-E2B	
V1505-T-E2B	

Rocker arm bracket nut \*



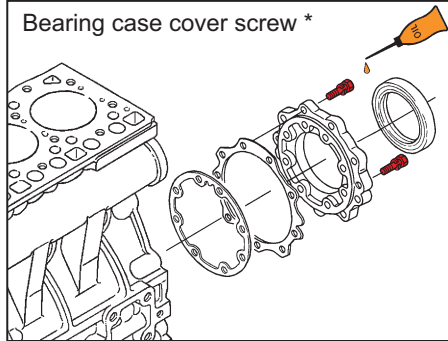
D905-E2B	
D1005-E2B	
D1105-E2B	21.6 to 26.5 N·m
D1105-T-E2B	2.2 to 2.7 kgf·m
V1305-E2B	15.9 to 19.5 ft-lbs
V1505-E2B	
V1505-T-E2B	

Idle gear shaft screw \*



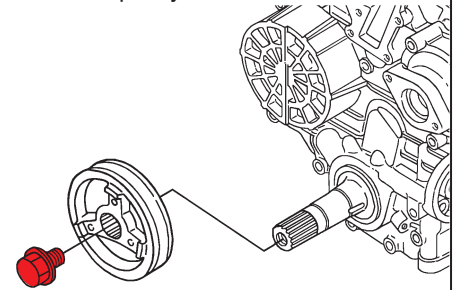
D905-E2B	
D1005-E2B	
D1105-E2B	9.8 to 11.3 N·m
D1105-T-E2B	1.00 to 1.15 kgf·m
V1305-E2B	7.2 to 8.3 ft-lbs
V1505-E2B	
V1505-T-E2B	

Bearing case cover screw \*



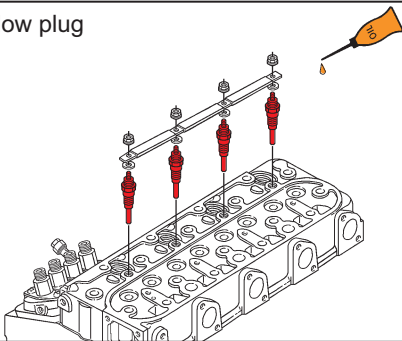
D905-E2B	
D1005-E2B	
D1105-E2B	9.8 to 11.3 N·m
D1105-T-E2B	1.00 to 1.15 kgf·m
V1305-E2B	7.2 to 8.3 ft-lbs
V1505-E2B	
V1505-T-E2B	

Fan drive pulley screw



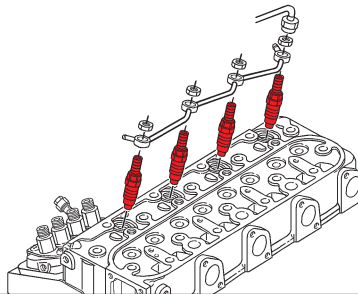
D905-E2B	
D1005-E2B	
D1105-E2B	235.4 to 245.2 N·m
D1105-T-E2B	24.0 to 25.0 kgf·m
V1305-E2B	173.6 to 180.8 ft-lbs
V1505-E2B	
V1505-T-E2B	

Glow plug



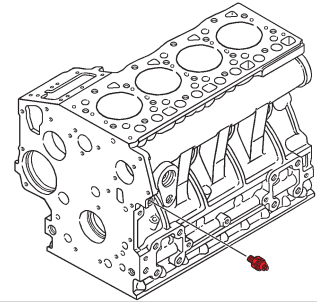
D905-E2B	
D1005-E2B	
D1105-E2B	7.8 to 14.7 N·m
D1105-T-E2B	0.8 to 1.5 kgf·m
V1305-E2B	5.8 to 10.8 ft-lbs
V1505-E2B	
V1505-T-E2B	

Nozzle holder assembly



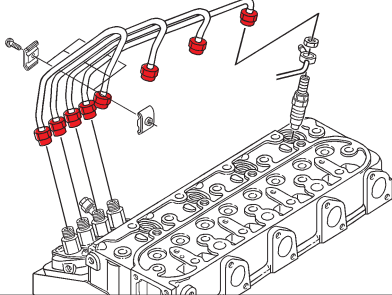
D905-E2B	
D1005-E2B	
D1105-E2B	49.0 to 68.6 N·m
D1105-T-E2B	5.0 to 7.0 kgf·m
V1305-E2B	36.2 to 50.6 ft-lbs
V1505-E2B	
V1505-T-E2B	

Oil switch taper screw



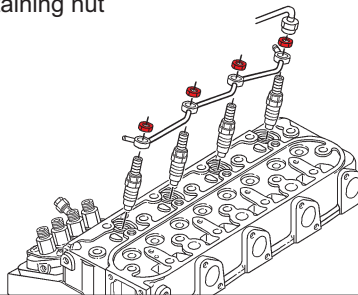
D905-E2B	
D1005-E2B	
D1105-E2B	14.7 to 19.6 N·m
D1105-T-E2B	1.5 to 2.0 kgf·m
V1305-E2B	10.8 to 14.5 ft-lbs
V1505-E2B	
V1505-T-E2B	

Injection pipe retaining nut



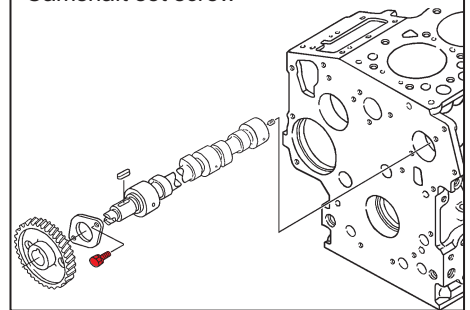
D905-E2B	
D1005-E2B	
D1105-E2B	24.5 to 34.3 N·m
D1105-T-E2B	2.5 to 3.5 kgf·m
V1305-E2B	18.1 to 25.3 ft-lbs
V1505-E2B	
V1505-T-E2B	

Overflow pipe assembly retaining nut



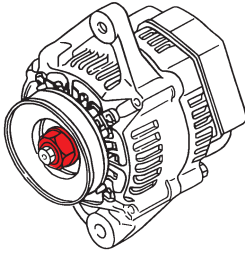
D905-E2B	
D1005-E2B	
D1105-E2B	19.6 to 24.5 N·m
D1105-T-E2B	2.0 to 2.5 kgf·m
V1305-E2B	14.5 to 18.1 ft-lbs
V1505-E2B	
V1505-T-E2B	

Camshaft set screw



D905-E2B	
D1005-E2B	
D1105-E2B	23.5 to 27.5 N·m
D1105-T-E2B	2.4 to 2.8 kgf·m
V1305-E2B	17.4 to 20.3 ft-lbs
V1505-E2B	
V1505-T-E2B	

Alternator pulley nut



D905-E2B	
D1005-E2B	
D1105-E2B	58.3 to 78.9 N·m
D1105-T-E2B	5.95 to 8.05 kgf·m
V1305-E2B	43.0 to 58.2 ft-lbs
V1505-E2B	
V1505-T-E2B	

## (2) General Tightening Torques

Screw and bolt material grades are shown by numbers punched on the screw and bolt heads.

Prior to tightening, be sure to check out the numbers as shown below.

None or 4 : Standard grade

7 : Special grade

Nominal Diameter	Standard Grade	Special Grade
M6	7.9 to 9.3 N·m 0.80 to 0.95 kgf·m 5.8 to 6.9 ft-lbs	9.8 to 11.3 N·m 1.00 to 1.15 kgf·m 7.23 to 8.32 ft-lbs
M8	17.7 to 20.6 N·m 1.8 to 2.1 kgf·m 13.0 to 15.2 ft-lbs	23.5 to 27.5 N·m 2.4 to 2.8 kgf·m 17.4 to 20.3 ft-lbs
M10	39.2 to 45.1 N·m 4.0 to 4.6 kgf·m 28.9 to 33.3 ft-lbs	48.1 to 55.9 N·m 4.9 to 5.7 kgf·m 35.4 to 41.2 ft-lbs
M12	62.8 to 72.6 N·m 6.4 to 7.4 kgf·m 46.3 to 53.5 ft-lbs	77.5 to 90.2 N·m 7.9 to 9.2 kgf·m 57.1 to 66.5 ft-lbs