

TO: ALL INTERNATIONAL SERVICE ACCOUNTS

No. 704-INT

MODELS: 90000 & 100000 (Includes Classic, Sprint, Quattro)

DATE 04/03

SUBJECT: New Plastic Air Cleaner Assembly and Foam Element

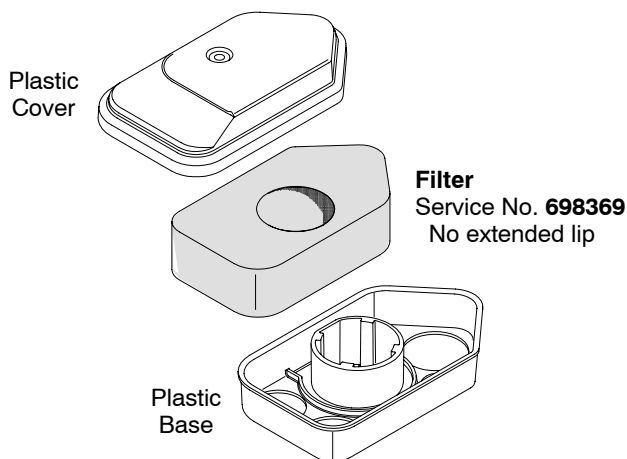
FILE IN Bulletin Binder

A new plastic air cleaner assembly has been introduced on the model 90000 & 100000 vertical shaft engines. It has been in production as of October 11, 2002 and service parts are available. The air cleaner base includes an integrally molded filter element support, eliminating the need for a separate support cup. In addition, the foam filter element has been redesigned, eliminating the wrap-over extended lip.

Service Notes:

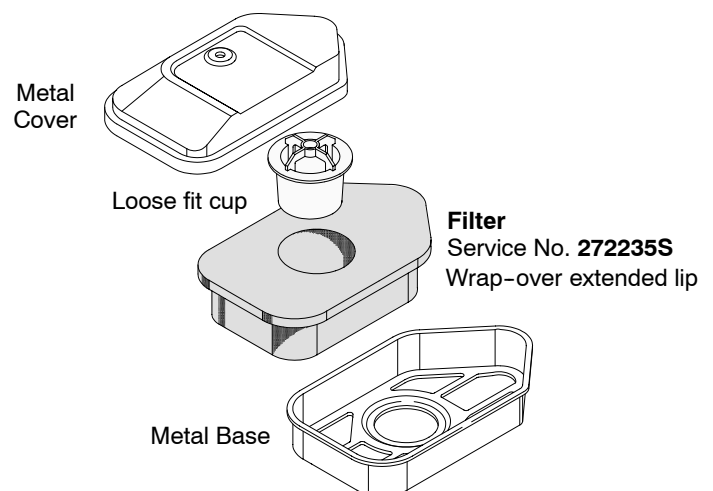
- The **complete** new plastic assembly (P/N 698472) can be used to replace the previous metal assembly (P/N 493492).
- Individual parts (covers, bases, and cup) are not interchangeable between the two assemblies.
- The old filter element (P/N 272235S) may be used as a substitute to service the new filter element (P/N 698369). **Note:** Due to the wrap over extended lip, the filter may fit tight.
- **CAUTION! DO NOT USE** the new filter element (P/N 698369) to replace the old filter (P/N 272235S) severe dirt ingestion and damage to the engine will occur.

Service P/N 698472 Filter Assembly



Used On or After Date Code 021011

Service P/N 493492 Filter Assembly



Used On or Before Date Code 021010